

GENERAL NOTES

THE DESIGN & DETAILS SHOWN WILL MEET THE REQUIREMENTS OF UNDERWRITERS LABORATORY CODE 96A, NATIONAL FIRE PROTECTION ASSOCIATION CODE 780 & THE LIGHTNING PROTECTION INSTITUTE CODE 175 FOR LIGHTNING PROTECTION SYSTEMS

- 1.) CONDUCTOR BEND SHALL NOT FORM A SHARPER ANGLE THAN 90 DEGREES OR HAVE A RADIUS LESS THAN 8 INCHES.
- 2.) METAL BODIES OF INDUCTANCE LOCATED WITHIN 6' OF A MAIN LIGHTNING CONDUCTOR SHALL BE BONDED TO THE LIGHTNING PROTECTION SYSTEM. (INCLUDING METAL VENTS, FLASHING, LOUVERS & ROOF DRAINS)
- 3.) CONNECTIONS TO GROUND AND/OR COUNTERPOISE SHALL BE MADE AT A POINT NOT LESS THAN 2'-0" BELOW GRADE, AND 3'-0" TO 8'-0" AWAY FROM FOUNDATION WALL.
- 4.) AIR TERMINAL SHALL BE PLACED AT THE LOCATIONS INDICATED, NOT MORE THAN 2'-0" FROM THE ENDS OF RIDGES, OUTSIDE CORNERS, OR OUTSIDE EDGES OF MAIN ROOFS AND MUST EXTEND A MINIMUM OF 10" ABOVE THE OBJECT TO BE PROTECTED.
- 5.) MIDROOF AIR TERMINALS SHALL BE SPACED AT 50'-0" O.C. MAX. SPACING.
- 6.) JOB CONDITIONS MAY DICTATE SLIGHT VARIATIONS IN AIR TERMINAL AND GROUND ROD LOCATIONS.
- 7.) CONDUCTORS SHALL MAINTAIN A HORIZONTAL OR DOWNWARD PATH FREE FROM "U" AND "V" POCKETS. ANY RISE IN HORIZONTAL CONDUCTOR SHALL NOT EXCEED 6 INCHES.
- 8.) COPPER LIGHTNING PROTECTION MATERIALS SHALL NOT BE PLACED ON ALUMINUM SURFACES, NOR SHALL ALUMINUM MATERIALS BE PLACED ON COPPER SURFACES.
- 9.) FOR THE SAKE OF CLARITY WE HAVE NOT CALLED OUT EACH INDIVIDUAL ITEM OF LIGHTNING PROTECTION MATERIALS ON THE ROOF PLAN. WE HAVE SHOWN TYPICAL DETAILS AND HAVE CALLED OUT EACH OF THESE DETAILS ON THE ROOF PLAN, ONLY IN SCATTERED LOCATIONS.
- 10.) ALL STRUCTURAL STEEL, REBAR, FRAMING & MISCELLANEOUS STEEL SHALL BE MADE ELECTRICALLY CONTINUOUS THROUGH CONSTRUCTION (NOT THE RESPONSIBILITY OF THE LIGHTNING PROTECTION CONTRACTOR.)
- 11.) ELECTRIC, TELEPHONE, AND ANTENNA SYSTEM GROUNDS SHALL BE CONNECTED WITH MAIN SIZED CONDUCTOR TO ONE LIGHTNING PROTECTION GROUND OR METAL WATER PIPE.
- 12.) A LIGHTNING ARRESTOR, PROTECTOR, OR ANTENNA-DISCHARGE UNIT MUST BE INSTALLED ON EACH ELECTRIC AND TELEPHONE SERVICE ENTRANCE AND RADIO AND TELEVISION ANTENNA LEAD IN. (TO BE PROVIDED BY ELECTRICAL CONTRACTOR.)
- 13.) ALL ADHESIVE FIXTURES SHALL BE SET WITH AN ADHESIVE COMPOUND COMPATIBLE WITH THE ROOFING MATERIAL. ADHESIVES SHALL BE APPROVED IN ADVANCE BY THE ROOFING CONTRACTOR.
- 14.) BOND ALL METAL PIPES SUCH AS WATER, GAS, FIRE, STORM, SEWER WHICH ENTER THE STRUCTURE TO THE NEAREST DOWNLEAD, GROUND ROD OR COUNTERPOISE.
- 15.) SEAL THE ENDS OF CONDUIT MOISTURE TIGHT WITH DUCT SEAL, SILICONE OR LEAD WEDGES.
- 16.) CABLE WILL BE FASTENED EVERY 3'-0" O.C. MAX. SPACING.

LIGHTNING PROTECTION

FOR
TYPICAL CHURCH STEEPLE
SUPERIOR FIBERGLASS, INC.
JACKSONVILLE, TEXAS

ROBBINS LIGHTNING, INC.

MARYVILLE, MISSOURI
PHONE (660) 582-3156 FAX. (660) 582-3039
E - MAIL ADDRESS www.robbslnltn2@earthlink.net

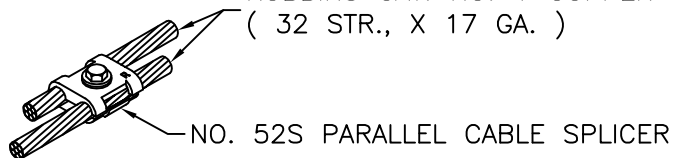
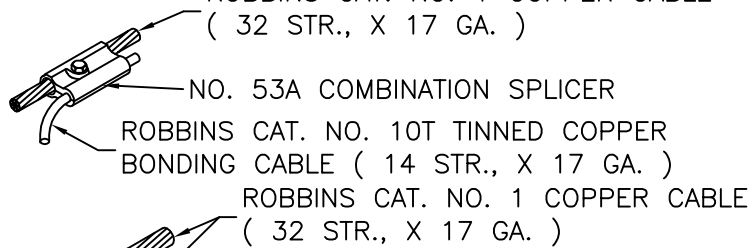
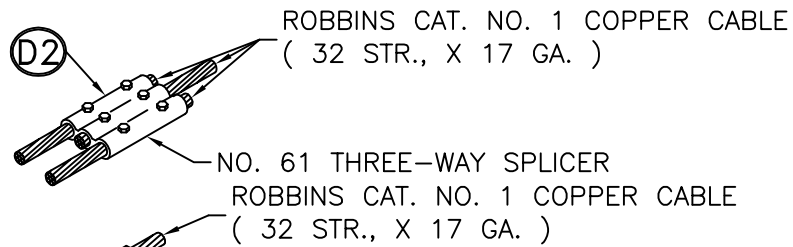
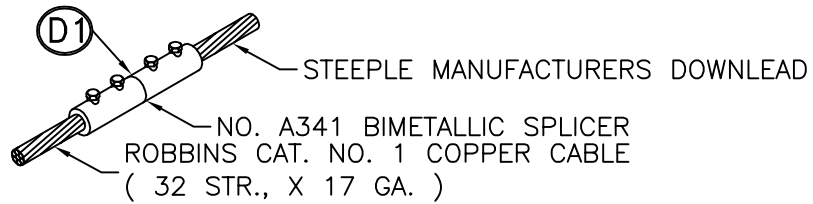
DWG. NO. R083

DRAWN BY: RFD

DATE: 12/12/07

SCALE: NOT TO SCALE

SHEET: ONE OF EIGHT



(D) TYPICAL SPLICER DETAIL
 N.T.S.

LIGHTNING PROTECTION

FOR
 TYPICAL CHURCH STEEPLE
 SUPERIOR FIBERGLASS, INC.
 JACKSONVILLE, MO

ROBBINS LIGHTNING, INC.

MARYVILLE, MISSOURI
 PHONE (660) 582-3156 FAX. (660) 582-3039
 E - MAIL ADDRESS www.robblnsltng2@earthlink.net

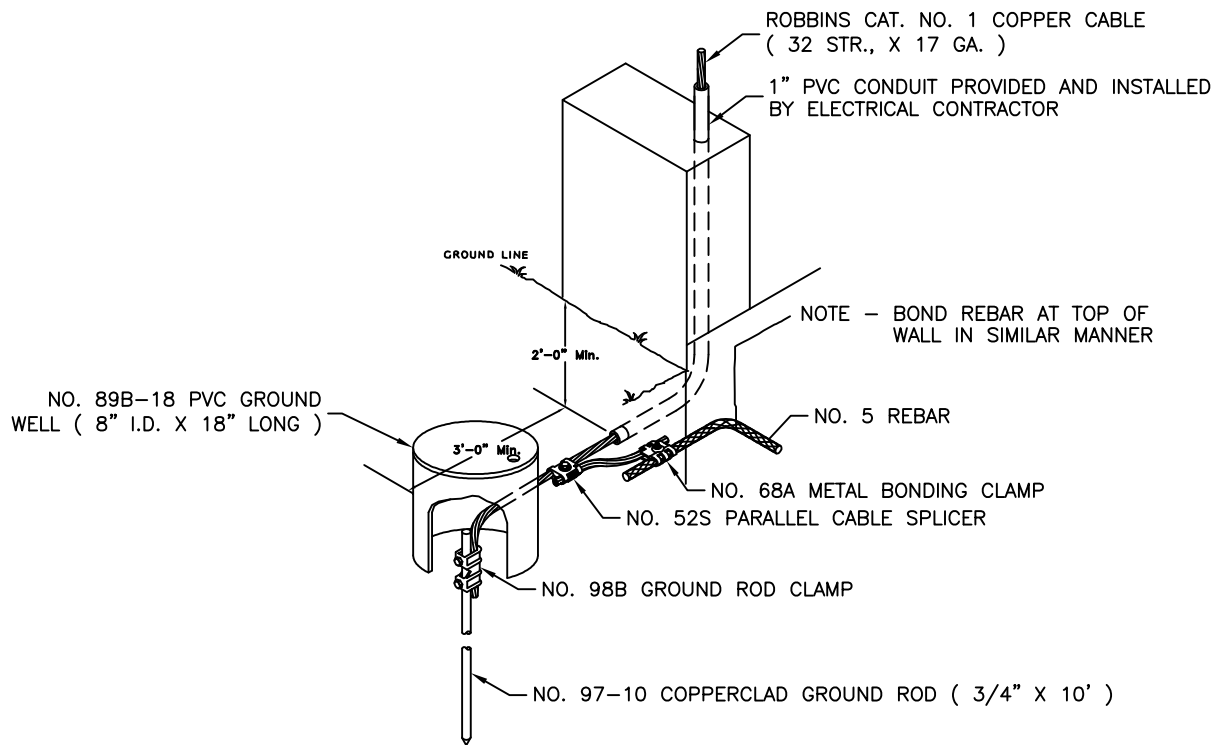
DWG. NO. R083

DRAWN BY: RFD

DATE: 12/12/07

SCALE: NOT TO SCALE

SHEET: SEVEN OF EIGHT



© TYPICAL DOWNLOAD, REBAR BOND & GROUND
N.T.S.

LIGHTNING PROTECTION

FOR
TYPICAL CHURCH STEEPLE
SUPERIOR FIBERGLASS, INC
JACKSONVILLE, TEXAS

ROBBINS LIGHTNING, INC.

MARYVILLE, MISSOURI
PHONE (660) 582-3156 FAX. (660) 582-3039
E - MAIL ADDRESS www.robblnsltng2@earthlink.net

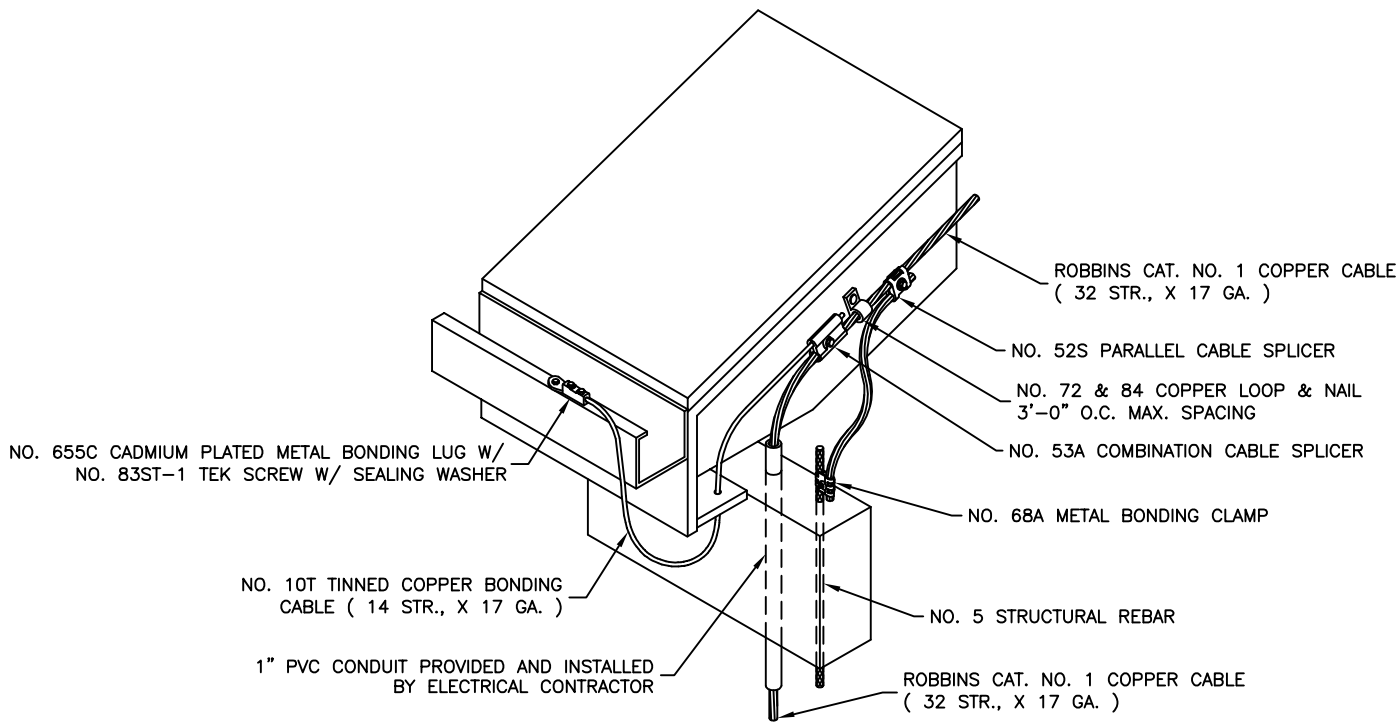
DWG. NO. R083

DRAWN BY: RFD

DATE: 12/12/07

SCALE: NOT TO SCALE

SHEET: SIX OF EIGHT



(B) TYPICAL GUTTER BOND & DOWNLEAD DETAIL
N.T.S.

LIGHTNING PROTECTION

FOR
TYPICAL CHURCH STEEPLE
SUPERIOR FIBERGLASS, INC.
JACKSONVILLE, TEXAS

ROBBINS LIGHTNING, INC.

MARYVILLE, MISSOURI
PHONE (660) 582-3156 FAX. (660) 582-3039
E - MAIL ADDRESS www.robbsltnng2@earthlink.net

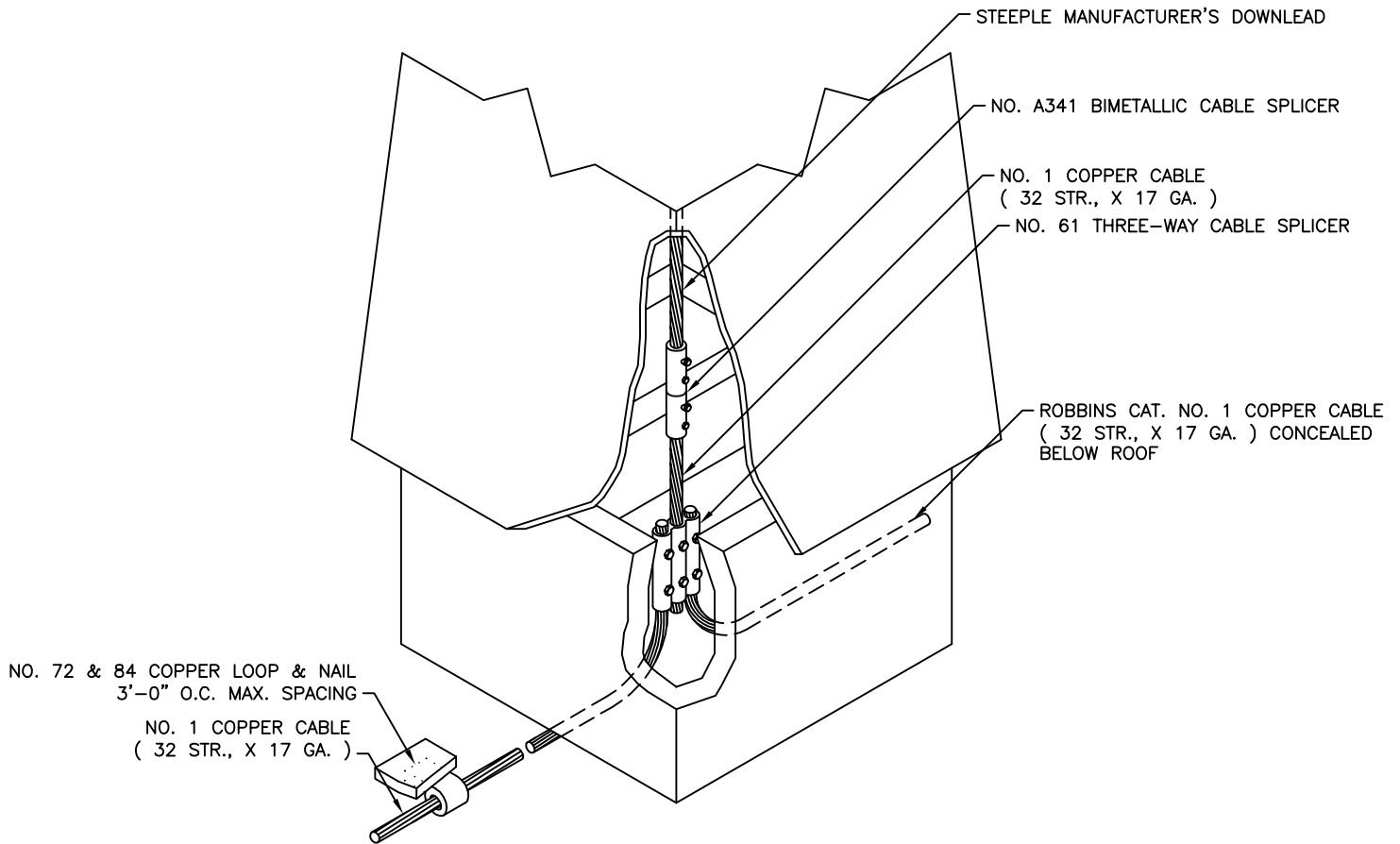
DWG. NO. R083

DRAWN BY: RFD

DATE: 12/12/07

SCALE: NOT TO SCALE

SHEET: FIVE OF EIGHT



(A1) TYPICAL STEEPLE/CROSS DOWNLOAD LOCATION
N.T.S.

LIGHTNING PROTECTION

FOR
TYPICAL CHURCH STEEPLE
SUPERIOR FIBERGLASS, INC.
JACKSONVILLE, TEXAS

ROBBINS LIGHTNING, INC.

MARYVILLE, MISSOURI
PHONE (660) 582-3156 FAX. (660) 582-3039
E - MAIL ADDRESS www.robbsltn2@earthlink.net

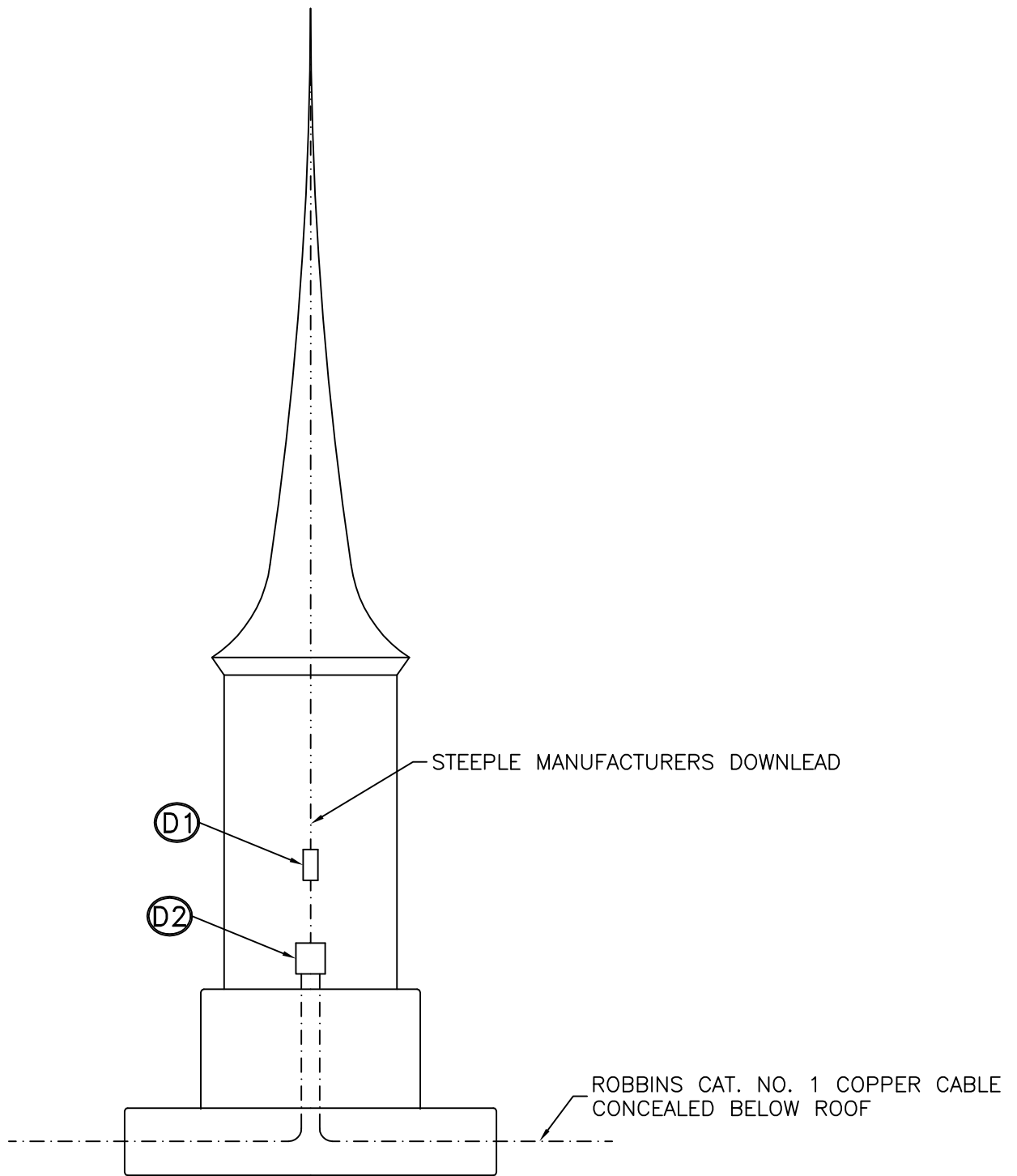
DWG. NO. R083

DRAWN BY: RFD

DATE: 12/12/07

SCALE: NOT TO SCALE

SHEET: FOUR OF EIGHT



(A) TYPICAL STEEPLE DOWNLEAD LOCATION DETAIL
N.T.S.

LIGHTNING PROTECTION

FOR
TYPICAL CHURCH STEEPLE
SUPERIOR FIBERGLASS, INC.
JACKSONVILLE, TEXAS

ROBBINS LIGHTNING, INC.

MARYVILLE, MISSOURI
PHONE (660) 582-3156 FAX. (660) 582-3039
E - MAIL ADDRESS www.robbsltnng2@earthlink.net

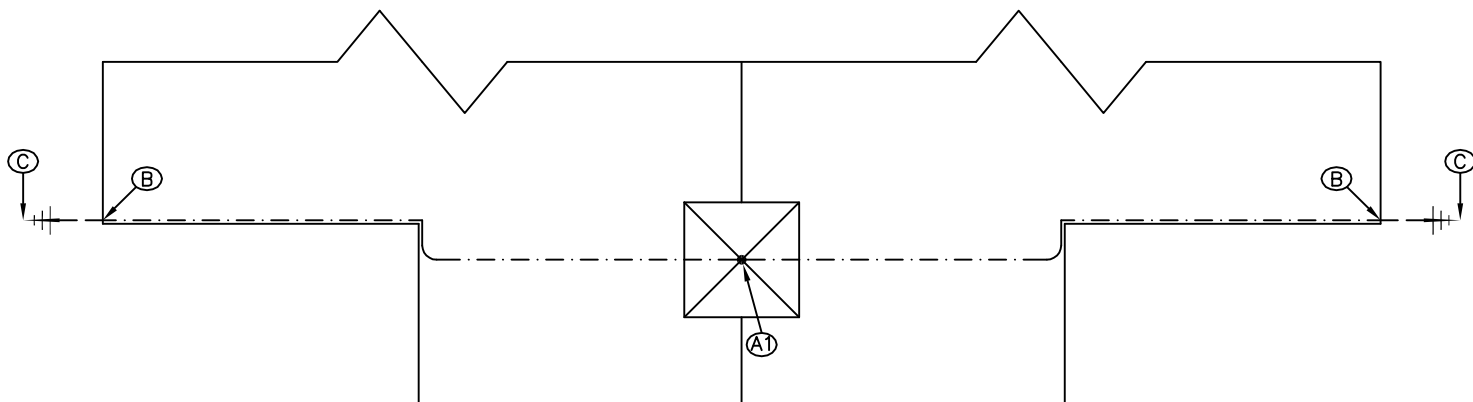
DWG. NO. R083

DRAWN BY: RFD

DATE: 12/12/07

SCALE: NOT TO SCALE

SHEET: THREE OF EIGHT



LIGHTNING PROTECTION ROOF PLAN
CHURCH STEEPLE
 NOT TO SCALE

LEGEND

●	AIR TERMINAL	/	ROBBINS CAT. NO. 1 COPPER CABLE (32 STR., X 17 GA.)
⚡	GROUND ROD LOCATION	/	STEEPLE MAUFACTURERS DOWNLEAD
---	NO. 10T TINNED COPPER BONDING CABLE (14 STR., X 17 GA.)	/	CAT. NO. 1 COPPER CABLE BELOW GRADE (32 STR., X 17 GA.)

LIGHTNING PROTECTION

FOR
 TYPICAL CHURCH STEEPLE
 SUPERIOR FIBERGLASS, INC.
 JACKSONVILLE, TEXAS

ROBBINS LIGHTNING, INC.

MARYVILLE, MISSOURI
 PHONE (660) 582-3156 FAX. (660) 582-3039
 E - MAIL ADDRESS www.robblnsltng2@earthlink.net

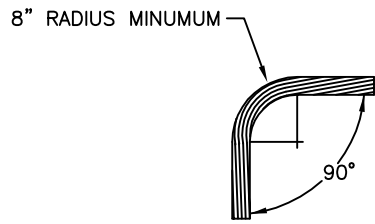
DWG. NO. R083

DRAWN BY: RFD

DATE: 12/12/07

SCALE: NOT TO SCALE

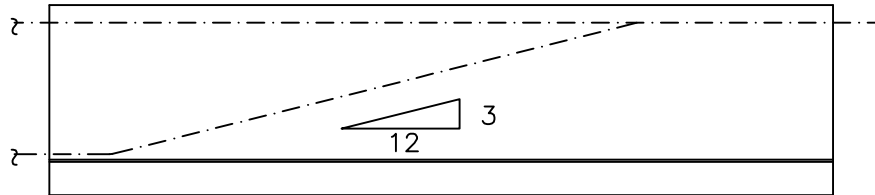
SHEET: TWO OF EIGHT



REFER TO GENERAL NOTE
NO. 2 SHEET ONE OF ONE

(E) TYPICAL ACCEPTABLE CABLE BEND
N.T.S.

NOTE—CABLE MAY RISE AT A RATE OF 3" OF RISE PER
12" OF RUN. REFER TO N.F.P.A. 780 CODE
PARAGRAPH 3.12.
FASTEN CABLE EVERY 3'-0" O.C. MAX SPACING.



(F) TYPICAL 3 TO 12 CABLE RISE ELEVATION
N.T.S.

LIGHTNING PROTECTION

FOR
TYPICAL CHURCH STEEPLE
SUPERIOR FIBERGLASS, INC.
JACKSONVILLE, TEXAS

ROBBINS LIGHTNING, INC.

MARYVILLE, MISSOURI
PHONE (660) 582-3156 FAX. (660) 582-3039
E - MAIL ADDRESS www.robbsltn2@earthlink.net

DWG. NO. R083

DRAWN BY: RFD

DATE: 12/12/07

SCALE: NOT TO SCALE

SHEET: EIGHT OF EIGHT