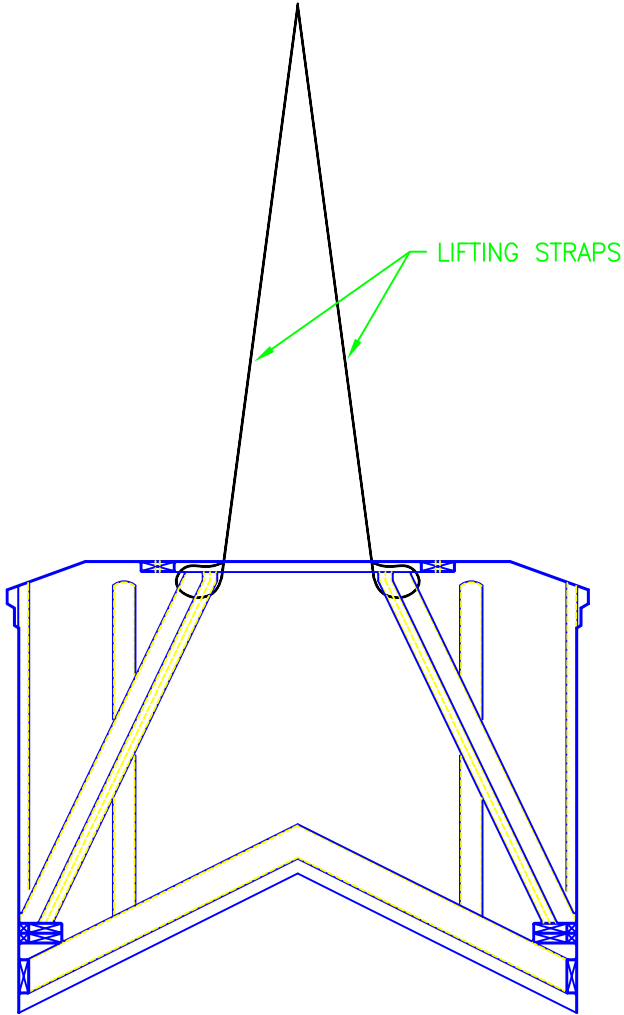
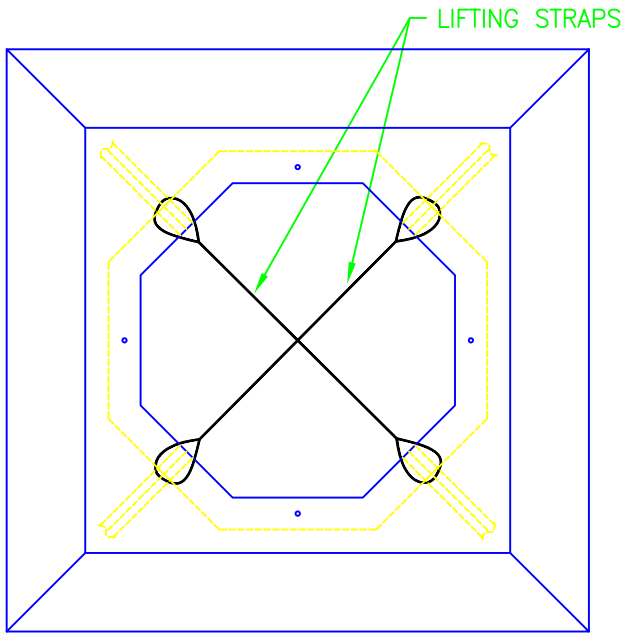


TYPICAL MULTI SECTION STEEPLE
LIFTING LAYOUT / INSTALLATION

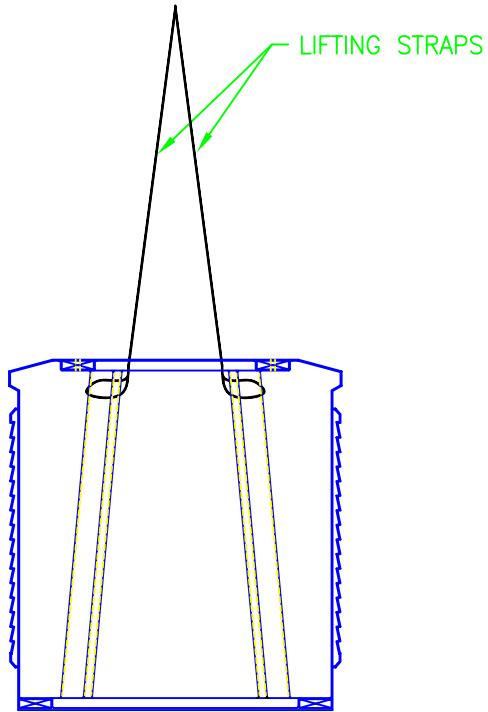


BASE INSTALLATION

STEP 1:
INSTALL BASE
CHECK FIT TO ROOF
AND BOLT TO STRUCTURE



SUPERIOR FIBERGLASS, INC. PO BOX 1989 JACKSONVILLE, TEXAS 75766 800-527-8438	COMBINATION LIFT	
	CL0504	PAGE 1

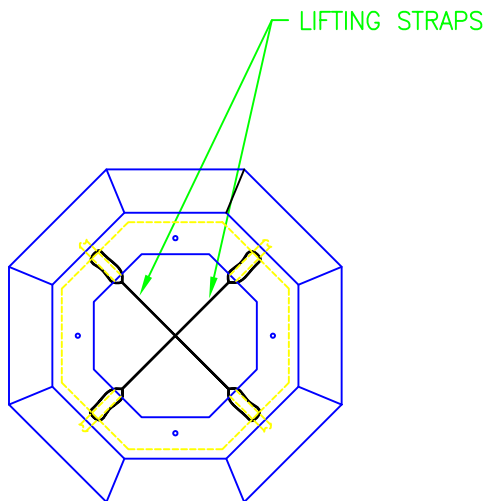


CUPOLA INSTALLATION

STEP 2:
 INSTALL CUPOLA
 FIT TO BASE AND BOLT
 WITH HARDWARE PROVIDED

SEAL JOINT BETWEEN
 BASE AND CUPOLA WITH
 SILICONE SEALANT

IF REQUIRED PLUMB CUPOLA
 BY SHIMMING BETWEEN TOP OF
 BASE AND BOTTOM OF CUPOLA

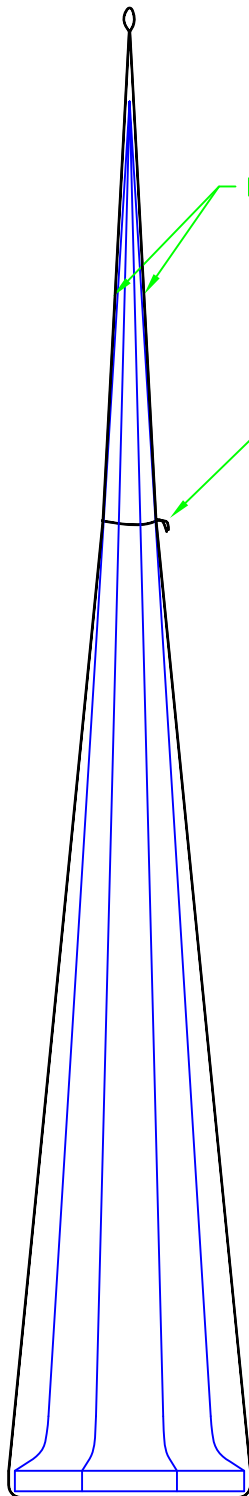


SUPERIOR FIBERGLASS, INC.
 PO BOX 1989
 JACKSONVILLE, TEXAS 75766
 800-527-8438

COMBINATION LIFT

CL0504

PAGE
 2



LIFTING STRAPS

INSTALL ROPE AROUND
SPIRE AND STRAP TO
HOLD SPIRE VERTICAL

SPIRE INSTALLATION

STEP 3:
INSTALL SPIRE
CHECK FIT AND PLUMB
BOLT TO CUPOLA WITH
HARDWARE PROVIDED

SEAL JOINT BETWEEN
SPIRE AND CUPOLA WITH
SILICONE SEALANT

IF REQUIRED PLUMB SPIRE
BY SHIMMING BETWEEN TOP OF
CUPOLA AND BOTTOM OF SPIRE

-PLACE ON CUPOLA
AND INSTALL (2) BOLTS
-LIFT EDGE OF SPIRE
AND REMOVE STRAP
-INSTALL REMAINING
BOLTS AND PLUMB
AS REQUIRED

SUPERIOR FIBERGLASS, INC.
PO BOX 1989
JACKSONVILLE, TEXAS 75766
800-527-8438

COMBINATION LIFT

CL0504

PAGE
3