

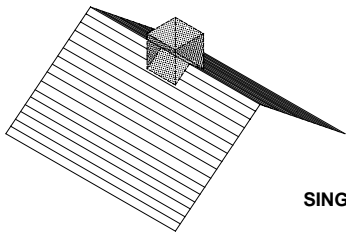
Your Superior steeple will be manufactured to fit your roof configuration. In order to insure a proper fit, we will need the following information about your building:

- **Roof Configuration**

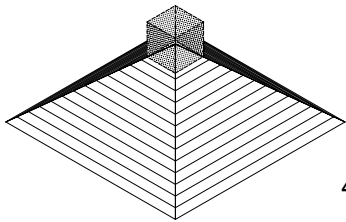
Typical configurations include single ridge, 4-way hip, 4-way ridge, or 3-way ridge.

- **Roof Pitch**

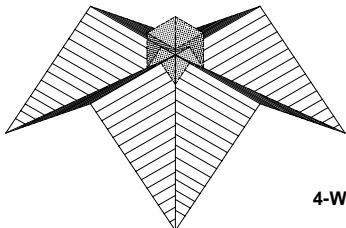
The pitch of your roof should be available from your plans or your contractor. If not, you can use the formula below for determining your pitch.



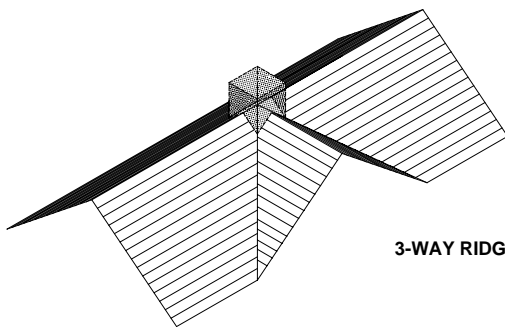
SINGLE RIDGE



4-WAY HIP



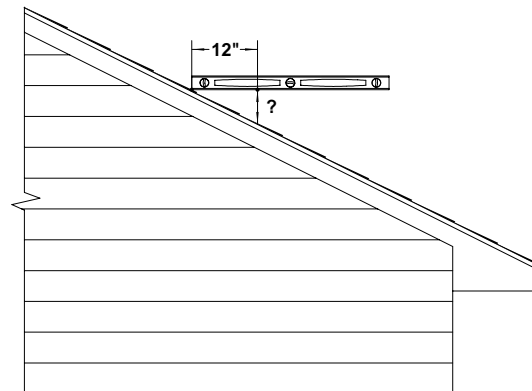
4-WAY RIDGE



3-WAY RIDGE

FORMULA FOR FINDING ROOF PITCH

Place a level against the roof as shown in the diagram below. From the point where the level touches the roof, measure out 12 inches; this is the "run." From this point, measure the distance in inches down to the roof. This number will be the "rise." Roof pitch is usually expressed as rise over run, as in 6/12.



SUPERIOR FIBERGLASS, INC.

P.O. Box 1989
Jacksonville, TX 75766

800-527-8438 or FAX 903-586-7547
www.superiorfiberglass.com