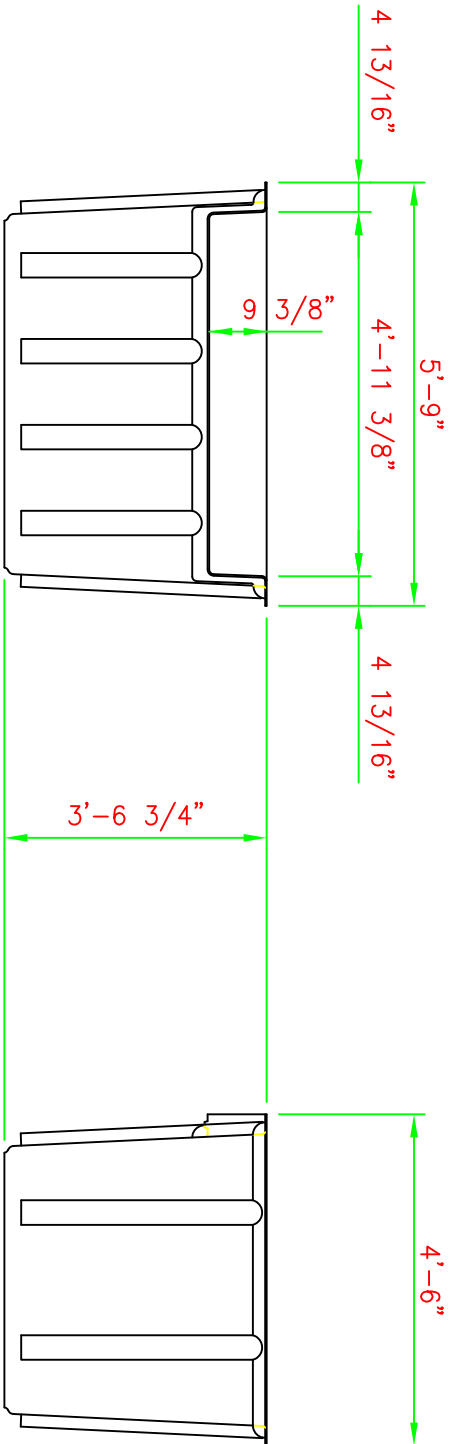
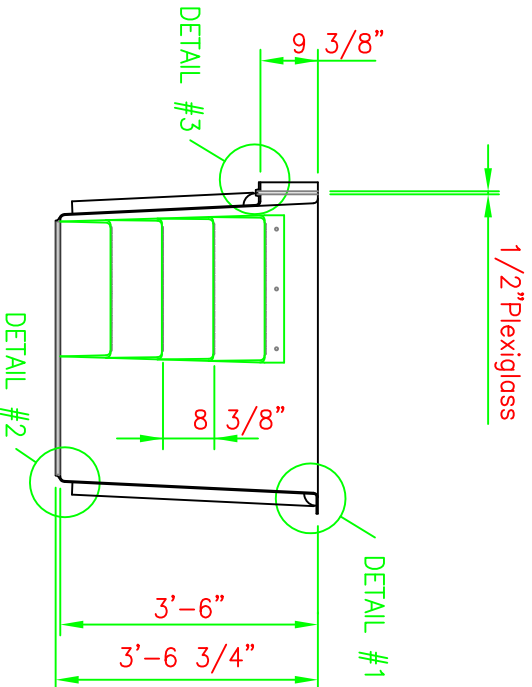


PLAN

TYP. SECTION



ELEVATIONS

SUPERIOR FIBERGLASS, INC.

P.O. BOX 1989
 JACKSONVILLE, TX. 75766
 1-800-527-8438
 www.superiorfiberglass.com

MODEL No.

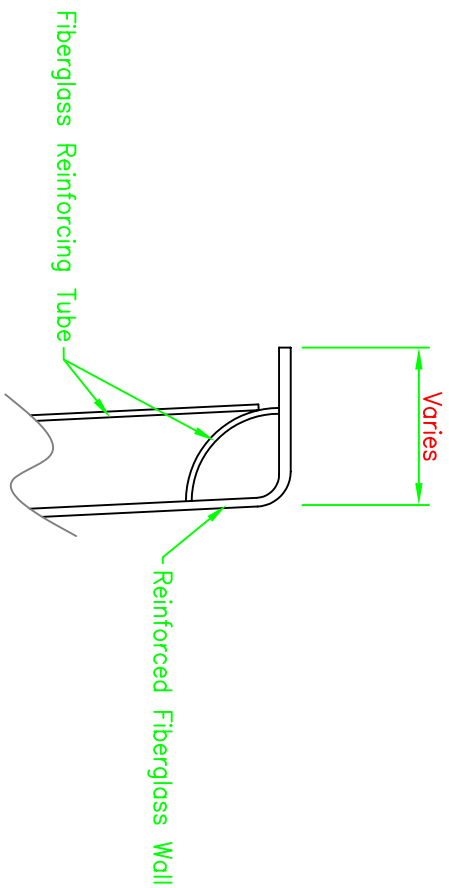
616

DWG. No.

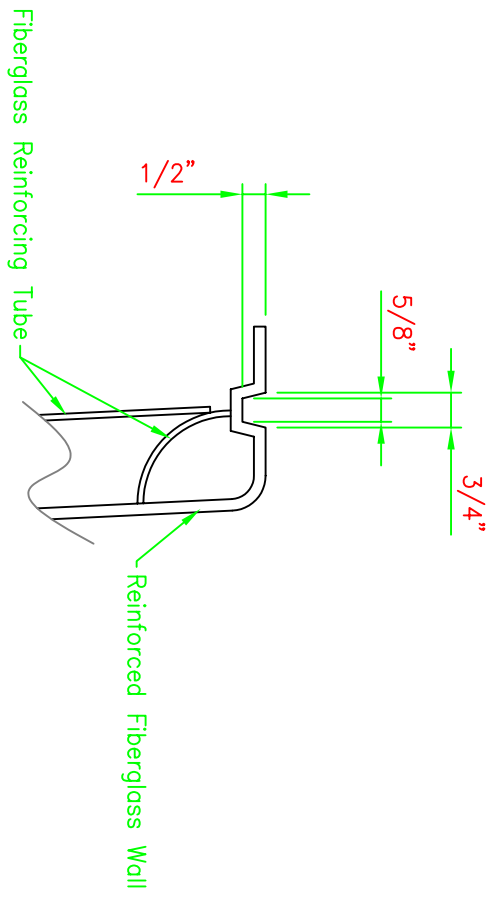
6160103

REV. No.

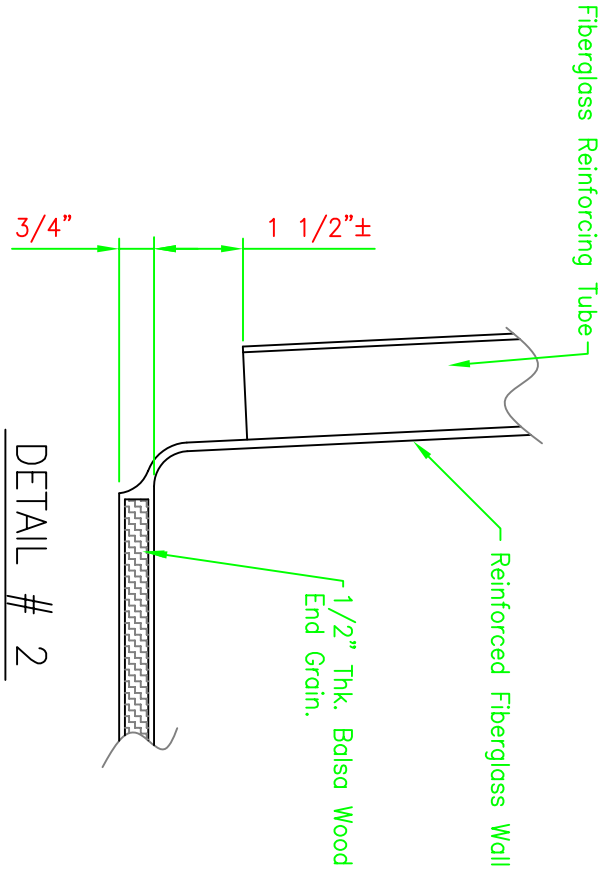
0



DETAIL # 1
TYPICAL TOP LIP



DETAIL # 3
TYPICAL WINDOW FRAME



DETAIL # 2
TYPICAL BASE

SUPERIOR FIBERGLASS, INC.
P.O. BOX 1989
JACKSONVILLE, TX. 75766
1-800-527-8438
www.superiorfiberglass.com

MODEL No.	DETAILS	
DWG. No.	D010103	REV. No.
		0