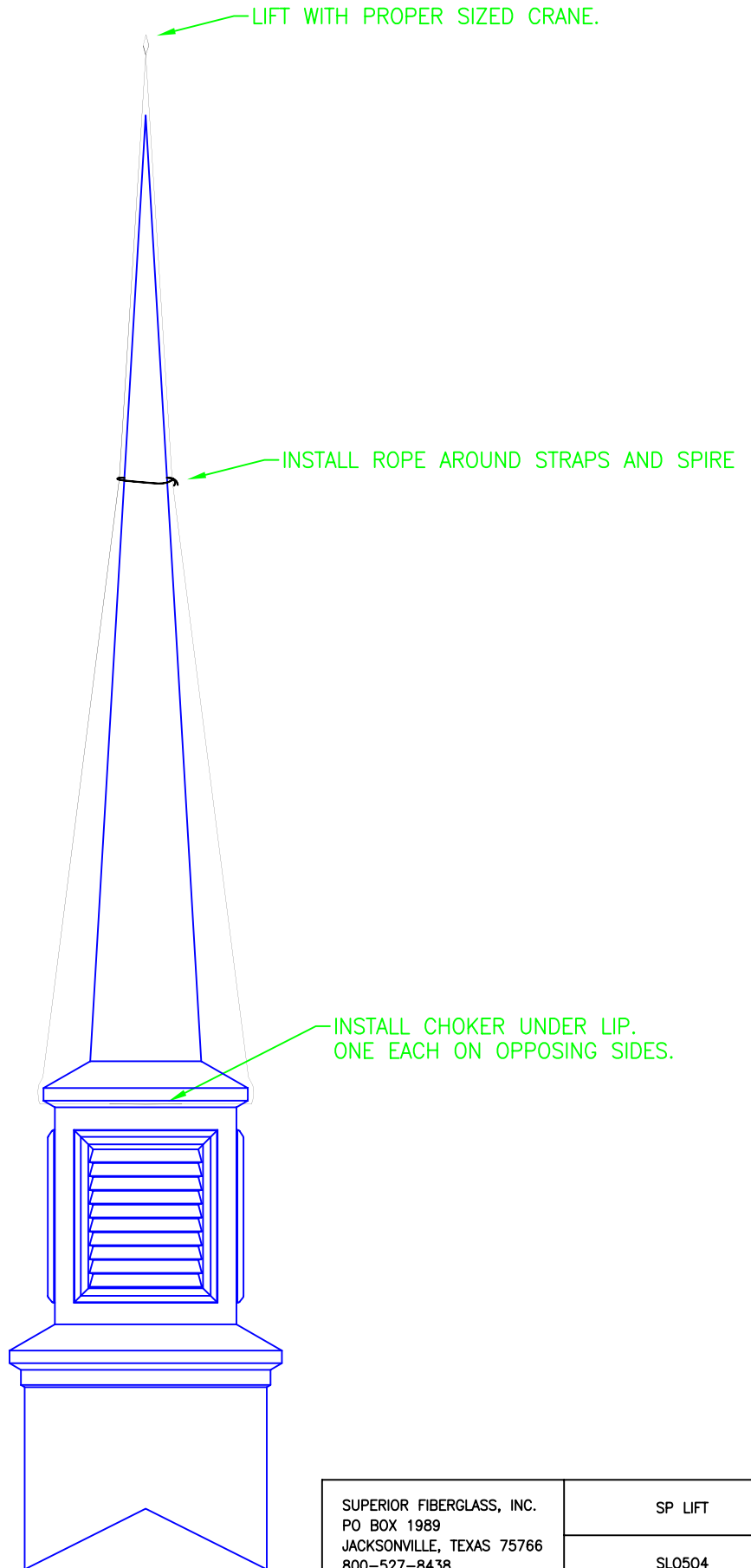


TYPICAL SINGLE PIECE UNIT LIFTING LAYOUT



SUPERIOR FIBERGLASS, INC.
PO BOX 1989
JACKSONVILLE, TEXAS 75766
800-527-8438

SP LIFT

SL0504