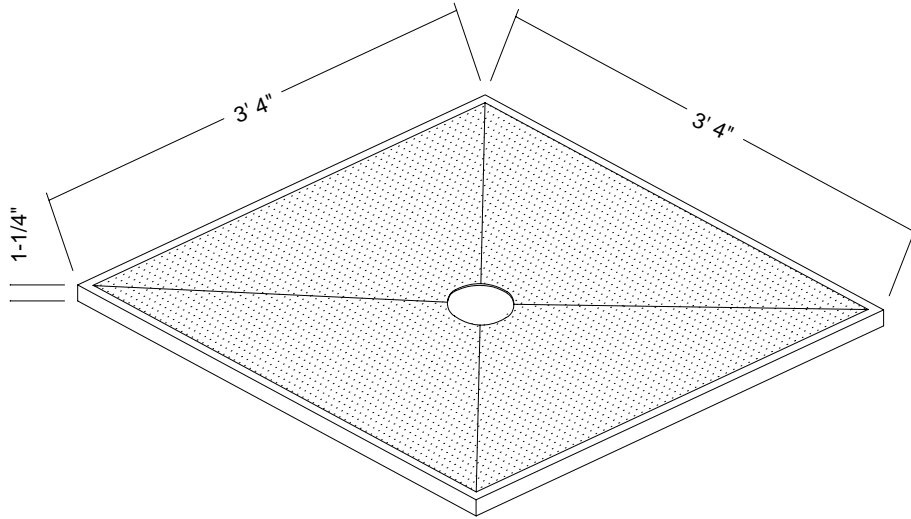


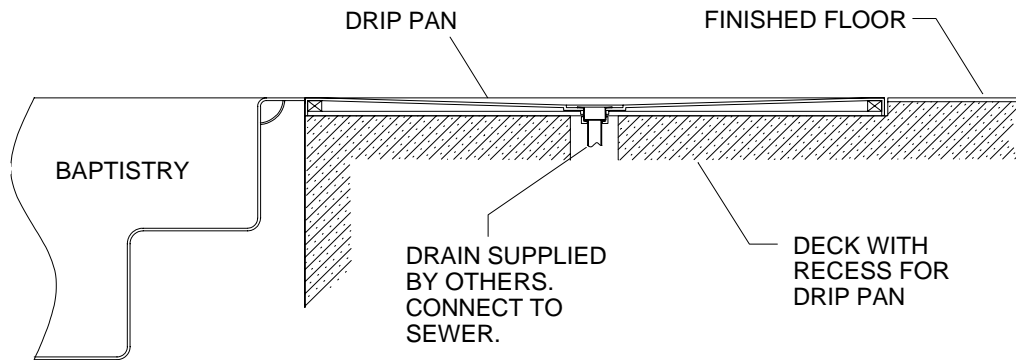
**DESCRIPTION**

Designed to collect water which drains from candidate's robe when exiting baptistry. Non-skid surface is gently sloped to recessed drain in center of catch landing.



**INSTALLATION**

Allow 3'-4" x 3'-4" x 1-1/4" deep recess in deck at top of stairs for installation of catch landing. Apply silicone sealant around perimeter of catch landing to prevent water damage to surrounding area.



**OPTIONS**

Catch landings are available in all standard baptistry colors.

CATCH LANDING

SUPERIOR FIBERGLASS, INC.

P.O. Box 1989  
Jacksonville, TX 75766

800-527-8438 or FAX 903-586-7547  
www.superiorfiberglass.com