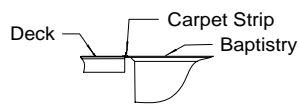
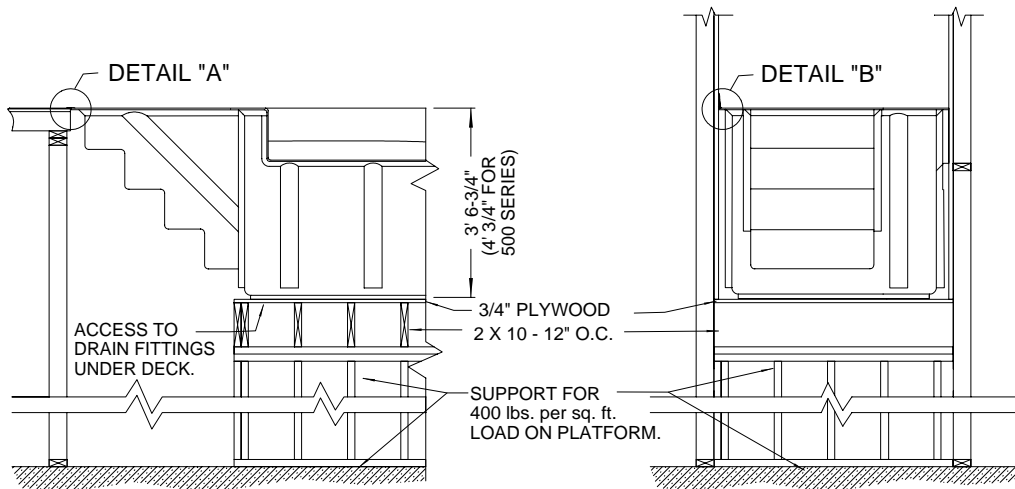


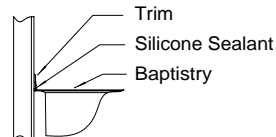
## INSTALLATION

Each baptistry installation is a unique project as details vary from one site to another. However, the following requirements are typical in any application:

- Baptistry should sit on a flat platform with sufficient support for loads.
- All joints at the top lip should be butt joints (baptistry lip should not carry any load).
- Access should be provided at drain location for plumbing connections below the baptistry.
- Finish around baptistry lip can be completed with standard trim materials such as carpet strip, shoe mold, etc.
- Access to baptistry exterior must be provided for plumbing and heating equipment.



DETAIL "A"



DETAIL "B"

**SUPERIOR FIBERGLASS, INC.**

P.O. Box 1989  
Jacksonville, TX 75766

800-527-8438 or FAX 903-586-7547  
www.superiorfiberglass.com